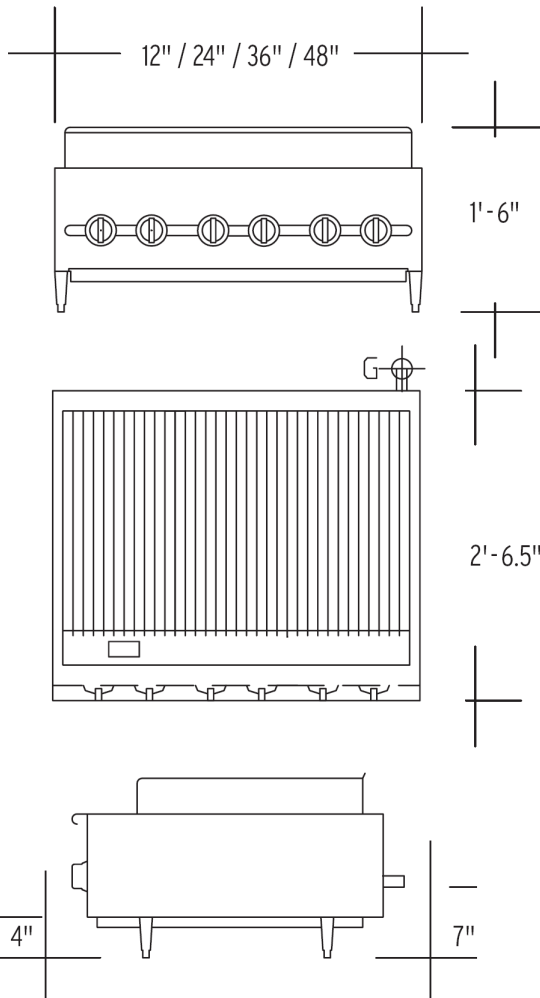




SCB12-HD, SCB24-HD, SCB36-HD, SCB48-HD
GAS RADIANT CHARBROILERS -
HEAVY DUTY

PRODUCT FEATURES:

- Available in 12" , 24" , 36" or 48"
- Stainless steel construction
- Heavy duty cast iron burners
- Individual control settings for each burner for heat control and versatility: Off/Low to High
- Cast iron reversible grates
- Even heat distribution
- 4" heavy duty chrome legs
- 4" Side splash and backsplash standard



SPECIFICATIONS: SCB12-HD	
Dimensions	14"W x 30.5"D x 18"H (incl. 4" legs)
Burners	2
Shipping Weight	140lbs / 63.5kg
Power	3/4" NPT connection
BTU	40,000 BTU
SPECIFICATIONS: SCB24-HD	
Dimensions	24"W x 30.5"D x 18"H (incl. 4" legs)
Burners	4
Shipping Weight	295lbs / 102.5kg
Power	3/4" NPT connection
BTU	80,000 BTU
SPECIFICATIONS: SCB36-HD	
Dimensions	36"W x 30.5"D x 18"H (incl. 4" legs)
Burners	6
Shipping Weight	402lbs / 140kg
Power	3/4" NPT connection
BTU	120,000 BTU
SPECIFICATIONS: SCB48-HD	
Dimensions	48"W x 30.5"D x 18"H (incl. 4" legs)
Burners	8
Shipping Weight	515lbs / 233.5kg
Power	3/4" NPT connection
BTU	160,000 BTU
L.P. Gas units also available	

* In the pursuit of a better product, durability and performance. SATURN reserves the right to change specifications, materials and design without further notice.

